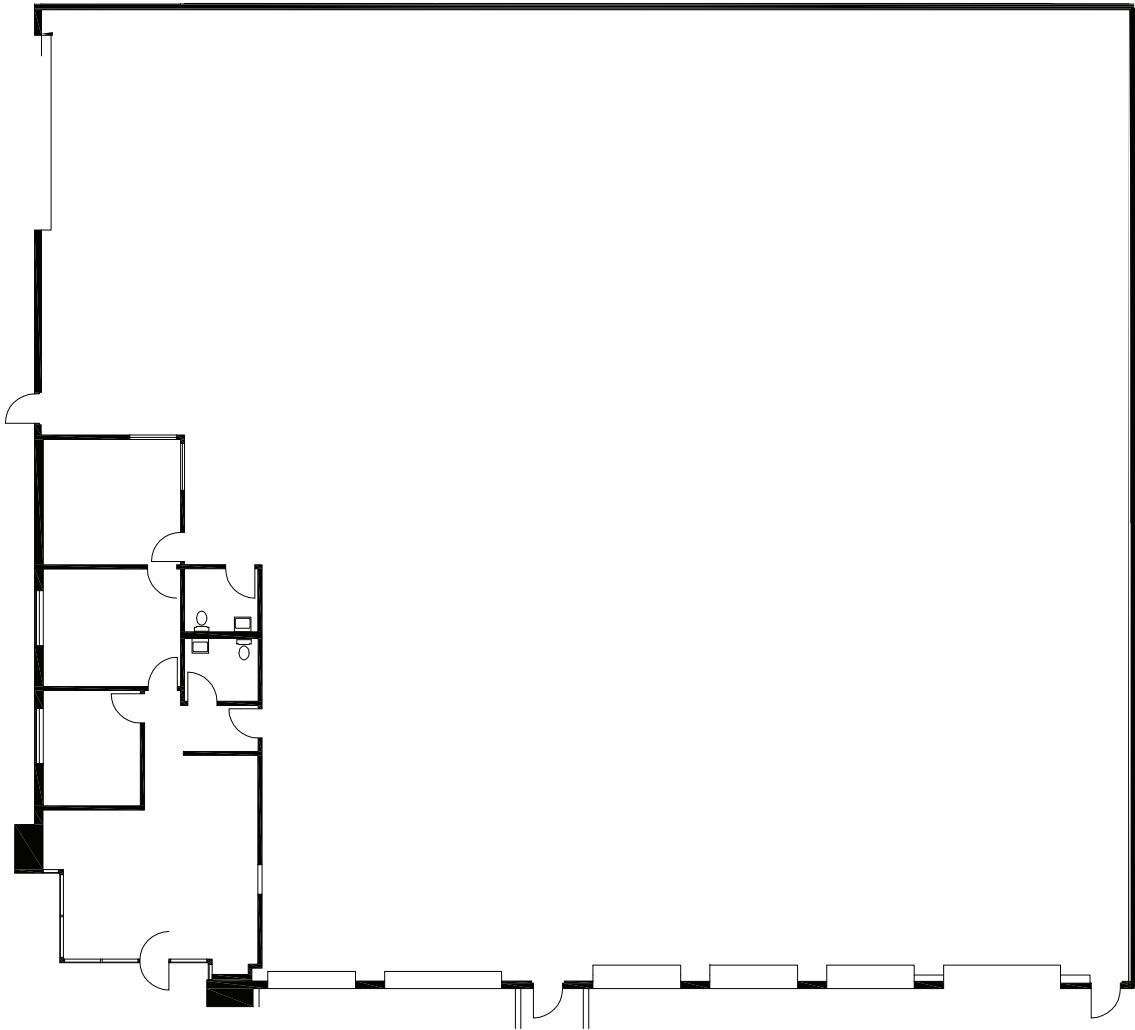


SUITE DATA:

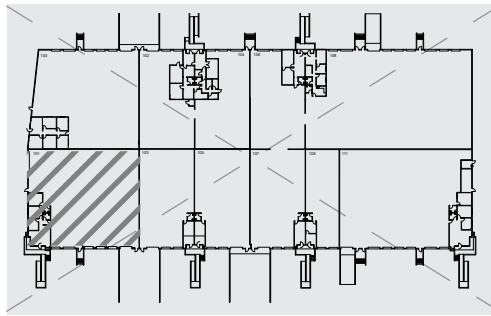
OFFICE AREA	1,428 SF
WAREHOUSE AREA	9,992 SF
TOTAL SUITE AREA	11,420 SF



SITE KEY PLAN:



BUILDING KEY PLAN:



Border Point Business Park

6754 Calle De Linea
San Diego, CA 92154

6754

101

03/15/2019