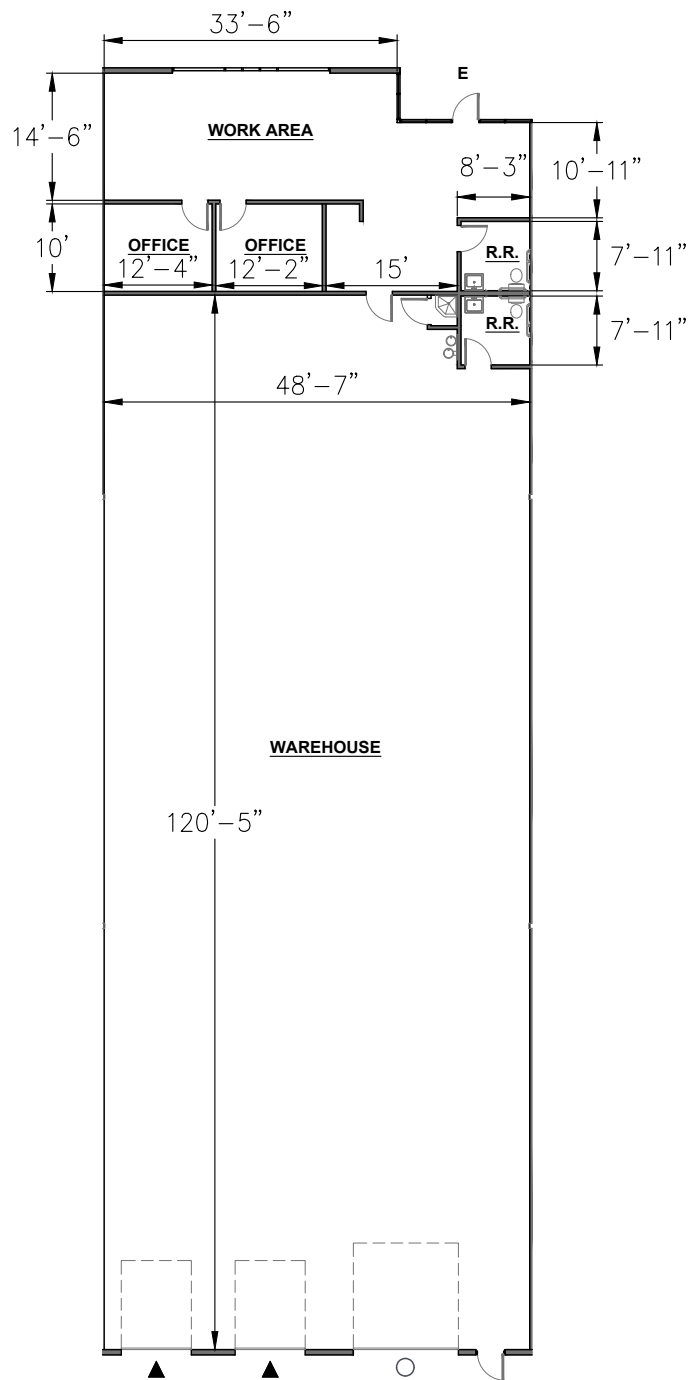


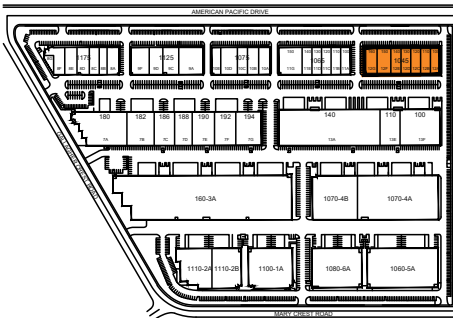
SUITE DATA:

OFFICE AREA	1,270 SF
WAREHOUSE AREA	5,932 SF
COMMON AREA	90 SF
TOTAL SUITE AREA	7,292 SF

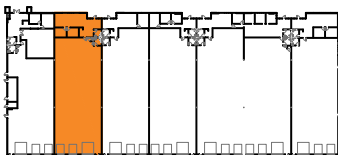
CLEAR HEIGHT	14'-0"
○ GRADE LEVEL DOORS	1
CLEAR HEIGHT	10'-0"
▲ DOCK HIGH DOORS	2



SITE KEY PLAN:



BUILDING KEY PLAN:



# Pacific North 244

1045 American Pacific Drive  
Henderson, NV 89074

BLDG. 12  
STE F

03.04.20