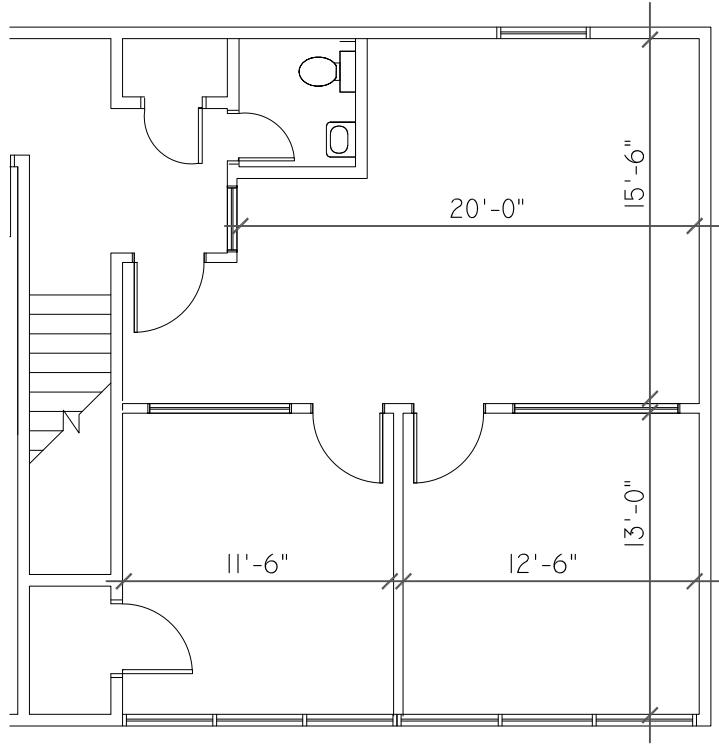
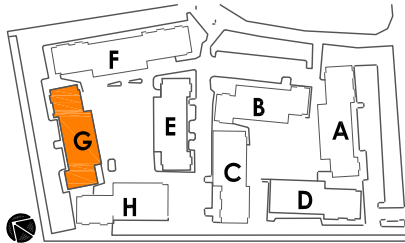


**SUITE DATA:**

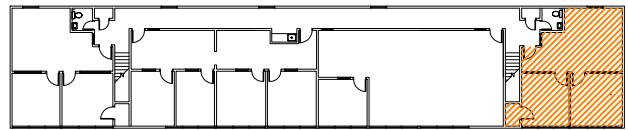
OFFICE AREA 855 SF



**SITE KEY PLAN:**



**BUILDING KEY PLAN:**



Inverness Exchange  
14 Inverness Drive East  
Englewood, CO 80112

BLDG. G  
STE 236